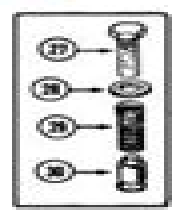
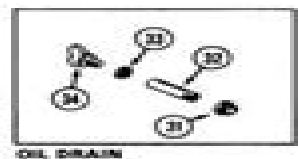
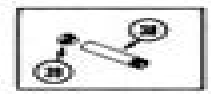
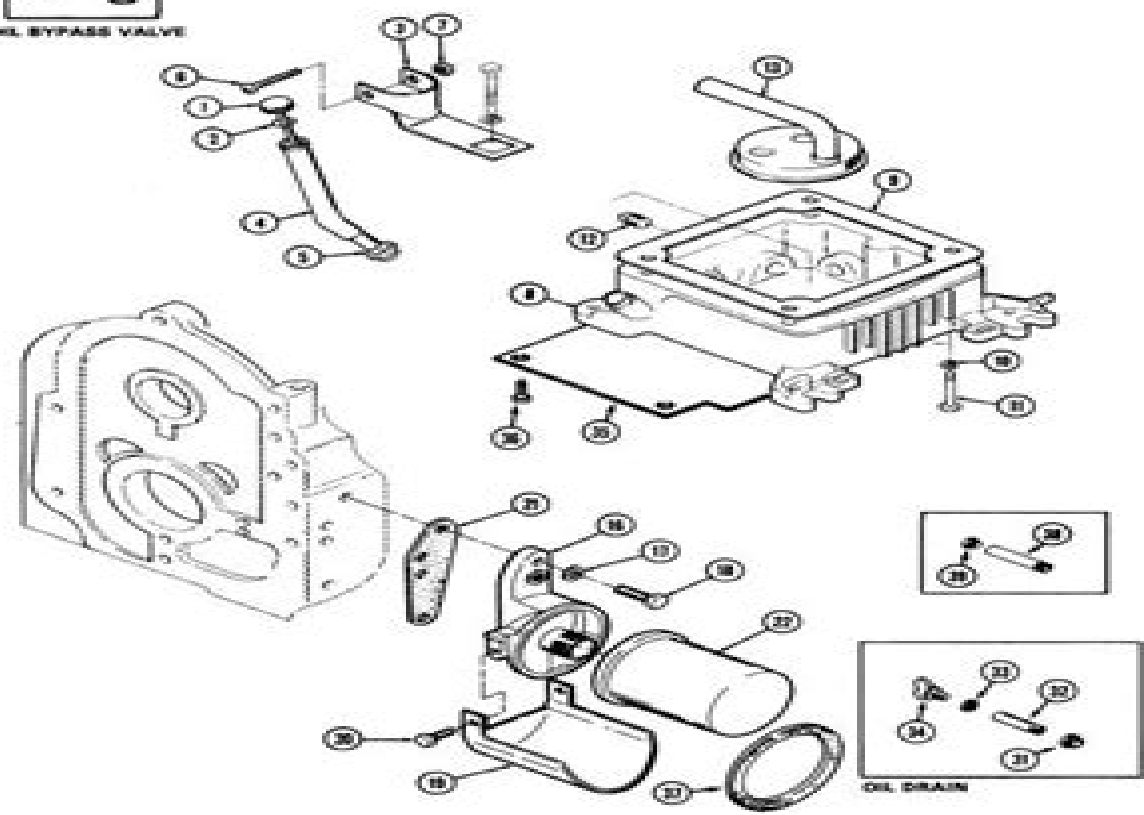
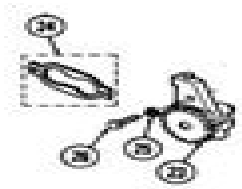


### OIL BASE, PUMP, FILTER, AND FILLER TUBE

#### INDEX



OIL BYPASS VALVE



OIL DRAIN

# Manual For Ingersoll Lawn Tractor

**United States Department of the Army**



## **Manual For Ingersoll Lawn Tractor:**

**Technical Manual** United States Department of the Army,1952      **Index of Supply Manuals, Corps of Engineers**  
United States. Department of the Army,1955      *Public Works Manual* ,1998      Public Works Manual and Catalog File  
,1977      Small Air-cooled Engine Service Manual, 1990-1994 ,1995 Previously published as one volume under same title  
*Small AC Generator Service Manual* ,1986      **Garden Tractors** Oscar H. Will,2009-02-15 An illustrated history of the  
garden tractors that make small farms and vast gardens grow the Cub Cadets John Deeres Simplicitys Fords Ariens Wheel  
Horses Kabotas etc      *Stock Factograph Manual* ,1971      *Canadian Mining Manual* ,1961      **Special Regulations** United  
States. Department of the Army,1954      Farmers and Consumers Market Bulletin ,2009      **Kalamazoo Telephone**  
**Directories** ,1987      **Canadian Mining Journal's Reference Manual & Buyer's Guide** ,1951      *Compressed Air* ,1972  
Public Works ,1969      **Popular Mechanics** ,1925-09 Popular Mechanics inspires instructs and influences readers to  
help them master the modern world Whether it s practical DIY home improvement tips gadgets and digital technology  
information on the newest cars or the latest breakthroughs in science PM is the ultimate guide to our high tech lifestyle  
**Monthly Catalogue, United States Public Documents** ,1989      *The Rural New-Yorker* ,1919      **PS, the**  
**Preventive Maintenance Monthly** ,1954 The Preventive Maintenance Monthly is an official publication of the Army  
providing information for all soldiers assigned to combat and combat duties The magazine covers issues concerning  
maintenance maintenance procedures and supply problems      **Official Gazette of the United States Patent Office**  
United States. Patent Office,1923

## Unveiling the Magic of Words: A Report on "**Manual For Ingersoll Lawn Tractor**"

In a global defined by information and interconnectivity, the enchanting power of words has acquired unparalleled significance. Their ability to kindle emotions, provoke contemplation, and ignite transformative change is truly awe-inspiring. Enter the realm of "**Manual For Ingersoll Lawn Tractor**," a mesmerizing literary masterpiece penned by a distinguished author, guiding readers on a profound journey to unravel the secrets and potential hidden within every word. In this critique, we shall delve in to the book is central themes, examine its distinctive writing style, and assess its profound effect on the souls of its readers.

[https://armchairempire.com/results/book-search/Download\\_PDFS/Intelligent%20Coordinated%20Uncertain%20Distribution%20Reliability.pdf](https://armchairempire.com/results/book-search/Download_PDFS/Intelligent%20Coordinated%20Uncertain%20Distribution%20Reliability.pdf)

### **Table of Contents Manual For Ingersoll Lawn Tractor**

1. Understanding the eBook Manual For Ingersoll Lawn Tractor
  - The Rise of Digital Reading Manual For Ingersoll Lawn Tractor
  - Advantages of eBooks Over Traditional Books
2. Identifying Manual For Ingersoll Lawn Tractor
  - Exploring Different Genres
  - Considering Fiction vs. Non-Fiction
  - Determining Your Reading Goals
3. Choosing the Right eBook Platform
  - Popular eBook Platforms
  - Features to Look for in an Manual For Ingersoll Lawn Tractor
  - User-Friendly Interface
4. Exploring eBook Recommendations from Manual For Ingersoll Lawn Tractor
  - Personalized Recommendations
  - Manual For Ingersoll Lawn Tractor User Reviews and Ratings

- Manual For Ingersoll Lawn Tractor and Bestseller Lists
- 5. Accessing Manual For Ingersoll Lawn Tractor Free and Paid eBooks
  - Manual For Ingersoll Lawn Tractor Public Domain eBooks
  - Manual For Ingersoll Lawn Tractor eBook Subscription Services
  - Manual For Ingersoll Lawn Tractor Budget-Friendly Options
- 6. Navigating Manual For Ingersoll Lawn Tractor eBook Formats
  - ePub, PDF, MOBI, and More
  - Manual For Ingersoll Lawn Tractor Compatibility with Devices
  - Manual For Ingersoll Lawn Tractor Enhanced eBook Features
- 7. Enhancing Your Reading Experience
  - Adjustable Fonts and Text Sizes of Manual For Ingersoll Lawn Tractor
  - Highlighting and Note-Taking Manual For Ingersoll Lawn Tractor
  - Interactive Elements Manual For Ingersoll Lawn Tractor
- 8. Staying Engaged with Manual For Ingersoll Lawn Tractor
  - Joining Online Reading Communities
  - Participating in Virtual Book Clubs
  - Following Authors and Publishers Manual For Ingersoll Lawn Tractor
- 9. Balancing eBooks and Physical Books Manual For Ingersoll Lawn Tractor
  - Benefits of a Digital Library
  - Creating a Diverse Reading Collection Manual For Ingersoll Lawn Tractor
- 10. Overcoming Reading Challenges
  - Dealing with Digital Eye Strain
  - Minimizing Distractions
  - Managing Screen Time
- 11. Cultivating a Reading Routine Manual For Ingersoll Lawn Tractor
  - Setting Reading Goals Manual For Ingersoll Lawn Tractor
  - Carving Out Dedicated Reading Time
- 12. Sourcing Reliable Information of Manual For Ingersoll Lawn Tractor
  - Fact-Checking eBook Content of Manual For Ingersoll Lawn Tractor
  - Distinguishing Credible Sources

13. Promoting Lifelong Learning
  - Utilizing eBooks for Skill Development
  - Exploring Educational eBooks
14. Embracing eBook Trends
  - Integration of Multimedia Elements
  - Interactive and Gamified eBooks

### **Manual For Ingersoll Lawn Tractor Introduction**

Manual For Ingersoll Lawn Tractor Offers over 60,000 free eBooks, including many classics that are in the public domain. Open Library: Provides access to over 1 million free eBooks, including classic literature and contemporary works. Manual For Ingersoll Lawn Tractor Offers a vast collection of books, some of which are available for free as PDF downloads, particularly older books in the public domain. Manual For Ingersoll Lawn Tractor : This website hosts a vast collection of scientific articles, books, and textbooks. While it operates in a legal gray area due to copyright issues, its a popular resource for finding various publications. Internet Archive for Manual For Ingersoll Lawn Tractor : Has an extensive collection of digital content, including books, articles, videos, and more. It has a massive library of free downloadable books. Free-eBooks Manual For Ingersoll Lawn Tractor Offers a diverse range of free eBooks across various genres. Manual For Ingersoll Lawn Tractor Focuses mainly on educational books, textbooks, and business books. It offers free PDF downloads for educational purposes. Manual For Ingersoll Lawn Tractor Provides a large selection of free eBooks in different genres, which are available for download in various formats, including PDF. Finding specific Manual For Ingersoll Lawn Tractor, especially related to Manual For Ingersoll Lawn Tractor, might be challenging as theyre often artistic creations rather than practical blueprints. However, you can explore the following steps to search for or create your own Online Searches: Look for websites, forums, or blogs dedicated to Manual For Ingersoll Lawn Tractor, Sometimes enthusiasts share their designs or concepts in PDF format. Books and Magazines Some Manual For Ingersoll Lawn Tractor books or magazines might include. Look for these in online stores or libraries. Remember that while Manual For Ingersoll Lawn Tractor, sharing copyrighted material without permission is not legal. Always ensure youre either creating your own or obtaining them from legitimate sources that allow sharing and downloading. Library Check if your local library offers eBook lending services. Many libraries have digital catalogs where you can borrow Manual For Ingersoll Lawn Tractor eBooks for free, including popular titles. Online Retailers: Websites like Amazon, Google Books, or Apple Books often sell eBooks. Sometimes, authors or publishers offer promotions or free periods for certain books. Authors Website Occasionally, authors provide excerpts or short stories for free on their websites. While this might not be the Manual For Ingersoll Lawn Tractor full book , it can give you a taste of the authors

writing style. Subscription Services Platforms like Kindle Unlimited or Scribd offer subscription-based access to a wide range of Manual For Ingersoll Lawn Tractor eBooks, including some popular titles.

## **FAQs About Manual For Ingersoll Lawn Tractor Books**

1. Where can I buy Manual For Ingersoll Lawn Tractor books? Bookstores: Physical bookstores like Barnes & Noble, Waterstones, and independent local stores. Online Retailers: Amazon, Book Depository, and various online bookstores offer a wide range of books in physical and digital formats.
2. What are the different book formats available? Hardcover: Sturdy and durable, usually more expensive. Paperback: Cheaper, lighter, and more portable than hardcovers. E-books: Digital books available for e-readers like Kindle or software like Apple Books, Kindle, and Google Play Books.
3. How do I choose a Manual For Ingersoll Lawn Tractor book to read? Genres: Consider the genre you enjoy (fiction, non-fiction, mystery, sci-fi, etc.). Recommendations: Ask friends, join book clubs, or explore online reviews and recommendations. Author: If you like a particular author, you might enjoy more of their work.
4. How do I take care of Manual For Ingersoll Lawn Tractor books? Storage: Keep them away from direct sunlight and in a dry environment. Handling: Avoid folding pages, use bookmarks, and handle them with clean hands. Cleaning: Gently dust the covers and pages occasionally.
5. Can I borrow books without buying them? Public Libraries: Local libraries offer a wide range of books for borrowing. Book Swaps: Community book exchanges or online platforms where people exchange books.
6. How can I track my reading progress or manage my book collection? Book Tracking Apps: Goodreads, LibraryThing, and Book Catalogue are popular apps for tracking your reading progress and managing book collections. Spreadsheets: You can create your own spreadsheet to track books read, ratings, and other details.
7. What are Manual For Ingersoll Lawn Tractor audiobooks, and where can I find them? Audiobooks: Audio recordings of books, perfect for listening while commuting or multitasking. Platforms: Audible, LibriVox, and Google Play Books offer a wide selection of audiobooks.
8. How do I support authors or the book industry? Buy Books: Purchase books from authors or independent bookstores. Reviews: Leave reviews on platforms like Goodreads or Amazon. Promotion: Share your favorite books on social media or recommend them to friends.
9. Are there book clubs or reading communities I can join? Local Clubs: Check for local book clubs in libraries or

community centers. Online Communities: Platforms like Goodreads have virtual book clubs and discussion groups.

10. Can I read Manual For Ingersoll Lawn Tractor books for free? Public Domain Books: Many classic books are available for free as they're in the public domain. Free E-books: Some websites offer free e-books legally, like Project Gutenberg or Open Library.

### **Find Manual For Ingersoll Lawn Tractor :**

[intelligent coordinated uncertain distribution reliability](#)

[intermediate financial accounting volume 2 solution manual](#)

[interactions level 2 grammar teachers edition plus key code for e-course](#)

[intensified algebra 1 volume 2 answer key](#)

**internal auditing ethics case studies**

[international accounting and multinational enterprises 6th](#)

[intermediate accounting 7e spiceland solutions manual](#)

[intermediate accounting study guide volume 2](#)

[integration of world knowledge for natural language understanding atlantis thinking machines](#)

[integrating and extending birt don french](#)

[international 4400 vt365 manual](#)

[instrumental methods for determining elements selection and applications](#)

[interdisciplinary assessment of personal health monitoring studies in health technology and informatics](#)

[interchange lab guide](#)

**international 9200 service manual**

### **Manual For Ingersoll Lawn Tractor :**

MerCruiser #5 Service Manual Stern Drive Units TR - TRS Find many great new & used options and get the best deals for MerCruiser #5 Service Manual Stern Drive Units TR - TRS at the best online prices at eBay! Mercury Marine MerCruiser Service Manual #5 Stern Driv This Workshop Service Repair manual PDF download for the TR/TRS Stern Drive Units Mercury Marine MerCruiser has been prepared as an aid to improve the ... Mercruiser stern drive unit factory service manual #5 TR ... Mercruiser stern drive unit TR TRS 1978 - 1993 .factory service manual on a CD all serial numbers. On CD. 326 Factory pages in PDF. Mercruiser Stern Drive Repair Manual, incl. TR, TRS 1964- ... Mercruiser Stern Drive Repair



Manual 1964-1985 (plus 1986-1987 TR, TRS) · Quick reference data · General information · Tools and techniques · Troubleshooting ... MerCruiser Stern Drives Model II-TRS Manual 1986 This MerCruiser manual is 616 pages. QUICK REFERENCE DATA. CHAPTER ONE / GENERAL INFORMATION Manual organization / Notes, cautions and warnings / Torque ... Mercruiser stern drive service manual 5 TRS 1978 to 1993 ... Mercruiser stern drive units TR TRS 1978 - 1993 factory service manual all serial numbers. 90-12935. On CD. 326 Factory pages. TRS Service Manual P/N 90-12935 - eBay Find many great new & used options and get the best deals for Mercury MerCruiser #5 Sterndrives TR & TRS Service Manual P/N 90-12935 at the best online ... Mercruiser Repair Manual 1986 MerCruiser #5 Stern Drive Units TR-TRS Service Repair Shop Manual OEM DEAL. by mercruiser · Paperback. Currently unavailable. Seloc Mercruiser stern drives ... Service Manual #02 | PDF Service Manual #02 - Free ebook download as PDF File (.pdf) or read book online for free. number 2. SERVICE MANUAL Cited by 1 — This service manual has been written and published by the Service Department of Mercury. Marine to aid our dealers' mechanics and company service personnel when ... Models for Writers Eleventh Edition They will enjoy and benefit from reading and writing about selections by many well-known authors, including Annie Dillard, Judith Ortiz Cofer,. Stephen King, ... Models for Writers: Short Essays for Composition 11th... by ... Models for Writers: Short Essays for Composition 11th (eleventh) Edition by Rosa, Alfred, Eschholz, Paul published by Bedford/St. Martin's (2012). Models for Writers: Short Essays for Composition Author · Paul Eschholz. Author. Models for Writers: Short Essays for Composition. Eleventh Edition. ISBN-13: 978-0312552015, ISBN-10: 0312552017. 4.4 4.4 out of ... Models for Writers eleventh edition. Alfred Rosa. Paul Eschholz. Prepared by. Sarah Federman ... the essays in Models for Writers are grouped into 21 chapters, each devoted to a ... Models for Writers 11th Edition | Alfred Rosa It's a simple, best-selling combination that has worked for thousands of students — short, accessible essays and helpful, thorough writing instruction. Models For Writers, Eleventh Edition - Alfred Rosa & Paul ... Models for Writers, Eleventh Edition - Alfred Rosa & Paul Eschholz - Free ebook download as PDF File (.pdf), Text File (.txt) or read book online for free. (PDF) Models for writers 11th edition by alfred rosa | quoc luu The objective of this program is to introduce students to the genre of academic texts, to train them to use efficient reading strategies and to provide them ... MODELS FOR WRITERS by Alfred Rosa & Paul Eschholz ... MODELS FOR WRITERS by Alfred Rosa & Paul Eschholz 2012 11th Edition Paperback ; Quantity. 1 available ; Item Number. 115548476658 ; Features. Eleventh Edition. Models for Writers 11th Edition Short Essays for Composition Jan 1, 2012 — This edition offers more coverage of the key elements of academic writing, including new strategies for writing a research paper and a section ... Elementary Linear Algebra Applications Version HOWARD ... This textbook is an expanded version of Elementary Linear Algebra, eleventh edition, by. Howard Anton. The first nine chapters of this book are identical to ... Elementary Linear Algebra with Applications This classic treatment of linear algebra presents the fundamentals in the clearest possible way, examining basic ideas by means of computational examples ... Elementary Linear Algebra: Anton, Howard The tenth edition

presents the key concepts and topics along with engaging and contemporary applications. The chapters have been reorganized to bring up some of ... Elementary Linear Algebra A new section on the earliest applications of linear algebra has been added to Chapter 11. This section shows how linear equations were used to solve practical ... Elementary Linear Algebra, Applications Version, 12th ... Elementary Linear Algebra: Applications Version, 12th Edition gives an elementary treatment of linear algebra that is suitable for a first course for ... Elementary Linear Algebra with Applications (Classic ... Elementary Linear Algebra with Applications (Classic Version) · Course Information · Hamilton College Official Bookstore. Join the Mailing List. Sign Up. Elementary Linear Algebra with Applications (Classic ... Elementary Linear Algebra with Applications (Classic Version), 9th edition. Published by Pearson (August 8, 2023) © 2023. Bernard Kolman Drexel University ... Elementary Linear Algebra: Applications Version, 11th ... This classic treatment of linear algebra presents the fundamentals in the clearest possible way, examining basic ideas by means of computational examples and ... Elementary Linear Algebra with Applications - 9th Edition Our resource for Elementary Linear Algebra with Applications includes answers to chapter exercises, as well as detailed information to walk you through the ...