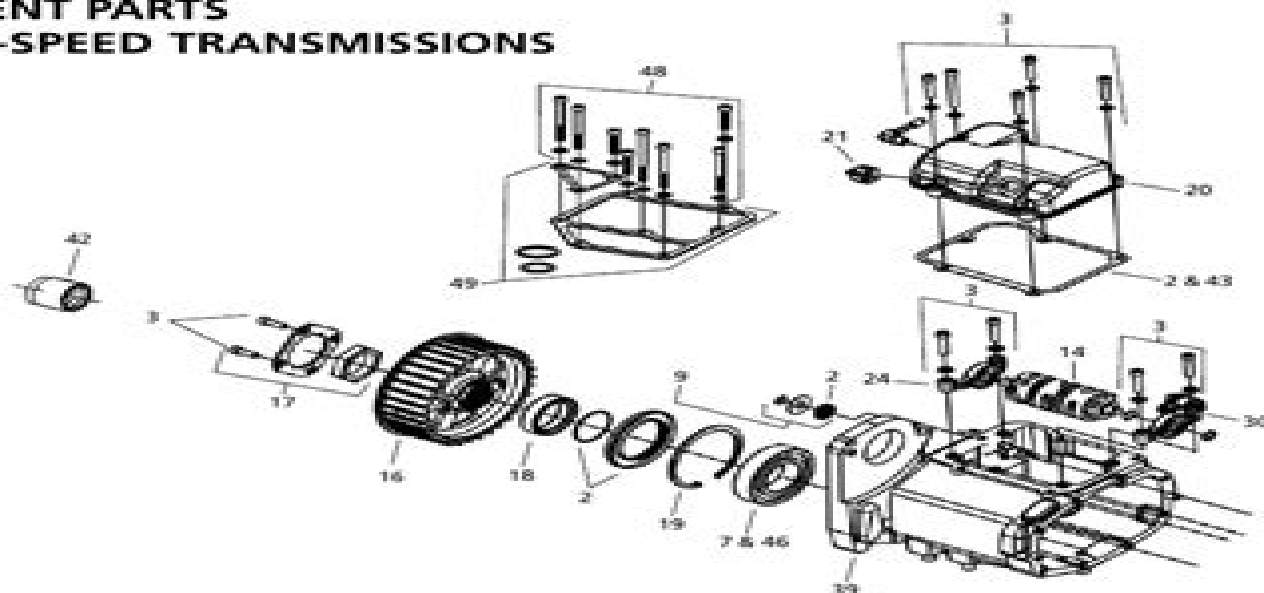


REPLACEMENT PARTS FOR S&S® 6-SPEED TRANSMISSIONS



1. Trap door, S&S 6-speed transmission Harley-Davidson® 2000-06 Softail® 1991-06 FLT models 56-1221 1991-05 Dyna™, 1990-up FXR, 1991-99 Softail 56-1253	18. Spacer, sprocket 56-1293
2. Kit, gaskets and seals-1991-06 Softail (S&S complete trans) 56-1226	19. Ring, retaining beveled internal 3.346 50-8469
3. Hardware kit, 6-Speed transmission 56-1227	20. Cover, top-S&S complete transmission and cassette applications Die cast 1991-99 Softail & 1991-00 FLT models 56-5115 Billet 1999-00 Dyna models 56-1615
4. Kit, ball and ramp, 6-speed transmission (18°) 56-1228	21. Switch, neutral 56-5113
5. Kit, throwout bearing 56-1229	22. Shaft, counter, S&S 6-speed, with integral main gear 56-5114
6. Kit, speed sensor 56-1230	23. Gear, fifth, countershaft, S&S 6-speed 56-5116
7. Kit, bearings, thrust washers, and retaining clips 56-1231	24. Assembly, carrier, drum, LH 56-1294
8. Mainshaft nut, jam hex nyloc, 8-16 UNF-2B (2 peck) 56-1278	25. Gear, second, countershaft, S&S 6-speed 56-5117
9. Kit, shift pin(s), 6-speed transmission 56-1225	26. Gear, first, countershaft, S&S 6-speed 56-5118
10. Shift fork, 5-6 56-1275	27. Gear, third/fourth, countershaft, S&S 6-speed 56-3139
11. Shift fork, 1-2 56-1276	28. Nut, bearing retainer, trap door, 1 1/2" - 20 UN-2B 50-8477
12. Shift fork, 3-4 56-1277	29. Collar, shift 56-5149
13. Shaft, shift rail 56-1274	30. Assembly, carrier, drum, RH 56-1295
14. Drum, shift 56-1273	31. Sleeve, shift collar 56-0010
15. Nut, hex 13-24 UNS-2B LH 56-3003	32. Spacer, thrust, mainshaft, S&S 6-speed 56-1302
16. Sprocket, 34 tooth 56-5084	33. Gear, fourth, main, S&S 6-speed 56-5126
17. Hardware, kit sprocket 56-1272	34. Gear, third, mainshaft, S&S 6-speed 56-5127

Harley Davidson Transmission Manuals

Causey Enterprises, LLC



Harley Davidson Transmission Manuals:

Embark on a transformative journey with is captivating work, **Harley Davidson Transmission Manuals** . This enlightening ebook, available for download in a convenient PDF format Download in PDF: , invites you to explore a world of boundless knowledge. Unleash your intellectual curiosity and discover the power of words as you dive into this riveting creation. Download now and elevate your reading experience to new heights .

https://armchairempire.com/public/detail/index.jsp/How_To_Lead_3rd_Edition.pdf

Table of Contents Harley Davidson Transmission Manuals

1. Understanding the eBook Harley Davidson Transmission Manuals
 - The Rise of Digital Reading Harley Davidson Transmission Manuals
 - Advantages of eBooks Over Traditional Books
2. Identifying Harley Davidson Transmission Manuals
 - Exploring Different Genres
 - Considering Fiction vs. Non-Fiction
 - Determining Your Reading Goals
3. Choosing the Right eBook Platform
 - Popular eBook Platforms
 - Features to Look for in an Harley Davidson Transmission Manuals
 - User-Friendly Interface
4. Exploring eBook Recommendations from Harley Davidson Transmission Manuals
 - Personalized Recommendations
 - Harley Davidson Transmission Manuals User Reviews and Ratings
 - Harley Davidson Transmission Manuals and Bestseller Lists
5. Accessing Harley Davidson Transmission Manuals Free and Paid eBooks
 - Harley Davidson Transmission Manuals Public Domain eBooks
 - Harley Davidson Transmission Manuals eBook Subscription Services
 - Harley Davidson Transmission Manuals Budget-Friendly Options

6. Navigating Harley Davidson Transmission Manuals eBook Formats
 - ePub, PDF, MOBI, and More
 - Harley Davidson Transmission Manuals Compatibility with Devices
 - Harley Davidson Transmission Manuals Enhanced eBook Features
7. Enhancing Your Reading Experience
 - Adjustable Fonts and Text Sizes of Harley Davidson Transmission Manuals
 - Highlighting and Note-Taking Harley Davidson Transmission Manuals
 - Interactive Elements Harley Davidson Transmission Manuals
8. Staying Engaged with Harley Davidson Transmission Manuals
 - Joining Online Reading Communities
 - Participating in Virtual Book Clubs
 - Following Authors and Publishers Harley Davidson Transmission Manuals
9. Balancing eBooks and Physical Books Harley Davidson Transmission Manuals
 - Benefits of a Digital Library
 - Creating a Diverse Reading Collection Harley Davidson Transmission Manuals
10. Overcoming Reading Challenges
 - Dealing with Digital Eye Strain
 - Minimizing Distractions
 - Managing Screen Time
11. Cultivating a Reading Routine Harley Davidson Transmission Manuals
 - Setting Reading Goals Harley Davidson Transmission Manuals
 - Carving Out Dedicated Reading Time
12. Sourcing Reliable Information of Harley Davidson Transmission Manuals
 - Fact-Checking eBook Content of Harley Davidson Transmission Manuals
 - Distinguishing Credible Sources
13. Promoting Lifelong Learning
 - Utilizing eBooks for Skill Development
 - Exploring Educational eBooks
14. Embracing eBook Trends
 - Integration of Multimedia Elements

-
- Interactive and Gamified eBooks

Harley Davidson Transmission Manuals Introduction

Harley Davidson Transmission Manuals Offers over 60,000 free eBooks, including many classics that are in the public domain. Open Library: Provides access to over 1 million free eBooks, including classic literature and contemporary works. Harley Davidson Transmission Manuals Offers a vast collection of books, some of which are available for free as PDF downloads, particularly older books in the public domain. Harley Davidson Transmission Manuals : This website hosts a vast collection of scientific articles, books, and textbooks. While it operates in a legal gray area due to copyright issues, its a popular resource for finding various publications. Internet Archive for Harley Davidson Transmission Manuals : Has an extensive collection of digital content, including books, articles, videos, and more. It has a massive library of free downloadable books. Free-eBooks Harley Davidson Transmission Manuals Offers a diverse range of free eBooks across various genres. Harley Davidson Transmission Manuals Focuses mainly on educational books, textbooks, and business books. It offers free PDF downloads for educational purposes. Harley Davidson Transmission Manuals Provides a large selection of free eBooks in different genres, which are available for download in various formats, including PDF. Finding specific Harley Davidson Transmission Manuals, especially related to Harley Davidson Transmission Manuals, might be challenging as theyre often artistic creations rather than practical blueprints. However, you can explore the following steps to search for or create your own Online Searches: Look for websites, forums, or blogs dedicated to Harley Davidson Transmission Manuals, Sometimes enthusiasts share their designs or concepts in PDF format. Books and Magazines Some Harley Davidson Transmission Manuals books or magazines might include. Look for these in online stores or libraries. Remember that while Harley Davidson Transmission Manuals, sharing copyrighted material without permission is not legal. Always ensure youre either creating your own or obtaining them from legitimate sources that allow sharing and downloading. Library Check if your local library offers eBook lending services. Many libraries have digital catalogs where you can borrow Harley Davidson Transmission Manuals eBooks for free, including popular titles. Online Retailers: Websites like Amazon, Google Books, or Apple Books often sell eBooks. Sometimes, authors or publishers offer promotions or free periods for certain books. Authors Website Occasionally, authors provide excerpts or short stories for free on their websites. While this might not be the Harley Davidson Transmission Manuals full book , it can give you a taste of the authors writing style. Subscription Services Platforms like Kindle Unlimited or Scribd offer subscription-based access to a wide range of Harley Davidson Transmission Manuals eBooks, including some popular titles.

FAQs About Harley Davidson Transmission Manuals Books

What is a Harley Davidson Transmission Manuals PDF? A PDF (Portable Document Format) is a file format developed by Adobe that preserves the layout and formatting of a document, regardless of the software, hardware, or operating system used to view or print it. **How do I create a Harley Davidson Transmission Manuals PDF?** There are several ways to create a PDF: Use software like Adobe Acrobat, Microsoft Word, or Google Docs, which often have built-in PDF creation tools. Print to PDF: Many applications and operating systems have a "Print to PDF" option that allows you to save a document as a PDF file instead of printing it on paper. Online converters: There are various online tools that can convert different file types to PDF. **How do I edit a Harley Davidson Transmission Manuals PDF?** Editing a PDF can be done with software like Adobe Acrobat, which allows direct editing of text, images, and other elements within the PDF. Some free tools, like PDFescape or Smallpdf, also offer basic editing capabilities. **How do I convert a Harley Davidson Transmission Manuals PDF to another file format?** There are multiple ways to convert a PDF to another format: Use online converters like Smallpdf, Zamzar, or Adobe Acrobats export feature to convert PDFs to formats like Word, Excel, JPEG, etc. Software like Adobe Acrobat, Microsoft Word, or other PDF editors may have options to export or save PDFs in different formats. **How do I password-protect a Harley Davidson Transmission Manuals PDF?** Most PDF editing software allows you to add password protection. In Adobe Acrobat, for instance, you can go to "File" -> "Properties" -> "Security" to set a password to restrict access or editing capabilities. Are there any free alternatives to Adobe Acrobat for working with PDFs? Yes, there are many free alternatives for working with PDFs, such as: LibreOffice: Offers PDF editing features. PDFsam: Allows splitting, merging, and editing PDFs. Foxit Reader: Provides basic PDF viewing and editing capabilities. How do I compress a PDF file? You can use online tools like Smallpdf, ILovePDF, or desktop software like Adobe Acrobat to compress PDF files without significant quality loss. Compression reduces the file size, making it easier to share and download. Can I fill out forms in a PDF file? Yes, most PDF viewers/editors like Adobe Acrobat, Preview (on Mac), or various online tools allow you to fill out forms in PDF files by selecting text fields and entering information. Are there any restrictions when working with PDFs? Some PDFs might have restrictions set by their creator, such as password protection, editing restrictions, or print restrictions. Breaking these restrictions might require specific software or tools, which may or may not be legal depending on the circumstances and local laws.

Find Harley Davidson Transmission Manuals :

how to lead 3rd edition

how to gain weight fast for women

how to drive your competition crazy

how to read art a crash course in understanding and interpreting paintings

how to host a murder power and greede game

how to draw disneys tarzan how to draw series

~~how to manifest more money in hours ebook jaquary d moton~~

how to play darts 501

how to convert a to word document for editing

how to convert epub to

~~how to complete your ucas application 2016 entry~~

how to merges into one document

how to draw cartoon animals step by step

how to open & operate a financially successful car detailing business

~~how to do everything with windows mobile~~

Harley Davidson Transmission Manuals :

Heizer operation management solution pdf summaries heizer operation managementsolution pdf solutions manual for additional problems operations management principles of operations management jay heizer. Jay Heizer Solutions Books by Jay Heizer with Solutions ; Study Guide for Operations Management 10th Edition 1194 Problems solved, Jay Heizer, Barry Render. Heizer Operation Management Solution CH 1 | PDF 1. The text suggests four reasons to study OM. We want tounderstand (1) how people organize themselves for productiveenterprise, (2) how goods and services are ... Operations Management Sustainability and Supply Chain ... Nov 6, 2023 — Operations Management Sustainability and Supply Chain Management Jay Heizer 12th edition solution manual pdf. This book will also help you ... Operations Management Solution Manual Select your edition Below. Textbook Solutions for Operations Management. by. 12th Edition. Author: Barry Render, Jay Heizer, Chuck Munson. 1378 solutions ... Solution manual for Operations Management Jun 17, 2022 — name[]Solution manual for Operations Management: Sustainability and Supply Chain Management 12th Global Edition by Jay Heizer Sustainability and Supply Chain Management 13th edition ... Feb 18, 2022 — Solution manual for Operations Management: Sustainability and Supply Chain Management 13th edition by Jay Heizer. 479 views. Heizer Operation Management Solution PDF Heizer Operation Management Solution PDFFull description ... JAY HEIZER Texas Lutheran University BARRY RENDER Upper Saddle River, New ... Operations Management - 11th Edition - Solutions and ... Find step-by-step solutions and answers to Operations Management ... Operations Management 11th Edition by Barry Render, Jay Heizer. More textbook ...

Solution Manual for Operations Management 12th Edition ... Solution Manual for Operations Management 12th Edition Heizer. Solution Manual for Operations Management 12th Edition Heizer. Author / Uploaded; a456989912. Ebook free Set theory an intuitive approach solutions lin (... Oct 7, 2023 — a thorough introduction to group theory this highly problem oriented book goes deeply into the subject to provide a fuller understanding ... Set Theory An Intuitive Approach Solutions Lin (2023) Oct 3, 2023 — A topological solution to object segmentation and ... Set Theory An Intuitive Approach Solutions Lin Book Review: Unveiling the Power of Words. 2IIM CAT Preparation - Intuitive Method to Solve Set Theory Set Theory An Intuitive Approach Solution If you ally obsession such a referred set theory an intuitive approach solution ebook that will have the funds for you worth, acquire the unconditionally ... Intuitive and/or philosophical explanation for set theory ... Jun 18, 2010 — We define something by quantifying over a set that contains the thing being defined. The intuition is that if we avoid such "impredicative" ... Solved My question is Set Theory related. Recently we were Sep 27, 2019 — The methods to be used to prove the identities/relationships is through set builder notation or set identities. Specifically 3c seems intuitive, ... Books by Shwu-Yeng T. Lin Looking for books by Shwu-Yeng T. Lin? See all books authored by Shwu-Yeng T. Lin, including Set Theory With Applications, and Set theory: An intuitive ... Chapter 2 An Intuitive Approach to Groups One of the major topics of this course is groups. The area of mathematics that is concerned with groups is called group theory. Loosely speaking, group ... Measure Theory for Beginners: An Intuitive Approach Theorem 1: There exist sets in the reals which are non-measurable. That is, no matter how I define a measure, there is no way to give a definite ... Park's Textbook Of Preventive And Social Medicine Park's Textbook Of Preventive And Social Medicine ; Publication date. January 1, 2021 ; Dimensions. 7.99 x 10 x 1.85 inches ; ISBN-10. 9382219161 ; ISBN-13. 978- ... preventive and social medicine Park's Textbook of. PREVENTIVE. AND SOCIAL. MEDICINE. BHANOT. K. PARK. 23 rd. EDITION. Page 2. The Book is dedicated to the revered memory of my husband. DR. Park Textbook of Preventive and Social Medicine 23rd ... Park Textbook of Preventive and Social Medicine 23rd edition (park psm) [Hardcover] [Jan 01, 2015] Park [K. Park] on Amazon.com. Park's textbook of preventive and social medicine Park's textbook of preventive and social medicine ; Author: K. Park (Author) ; Edition: Twenty-third edition View all formats and editions ; Publisher: Bhanot ... Park's Textbook of Preventive and Social Medicine 22/e Park's Textbook of Preventive and Social Medicine. K. Park. Published by Banarsidas Bhanot (2013). ISBN 10: 9382219021 ISBN 13: 9789382219026. New Hardcover ... Park, K. (2007) Parks Textbook of Preventive and Social ... Park, K. (2007) Parks Textbook of Preventive and Social Medicine. 19th Edition, M/S Banarsidas Bhanot Publishers, Jabalpur, 798-806. Park's Textbook of Preventive and Social Medicine Park's Textbook of Preventive and Social Medicine. K. Park. 3.89. 1,655 ratings ... Preventive and social medicine best book book for medical students. This ... Park's textbook of preventive and social medicine Park's textbook of preventive and social medicine ; Author: K. Park ; Edition: 20th ed View all formats and editions ; Publisher: M/S Banarsidas Bhanot, Jabalpur, ... Park's Textbook of Preventive and Social Medicine

Park's Textbook of Preventive and Social Medicine. 1 ratings by Goodreads · K. Park. Published by Banarsidas Bhanot, 2013. ISBN 10: 9382219021 / ISBN 13 ... Park's Textbook Of Preventive And Social Medicine Park's Textbook Of Preventive And Social Medicine ; Author(s): K PARK ; Edition: 26TH ; Published Year: 2021 ; ISBN: 978-9382219163 ; Availability: In Stock.