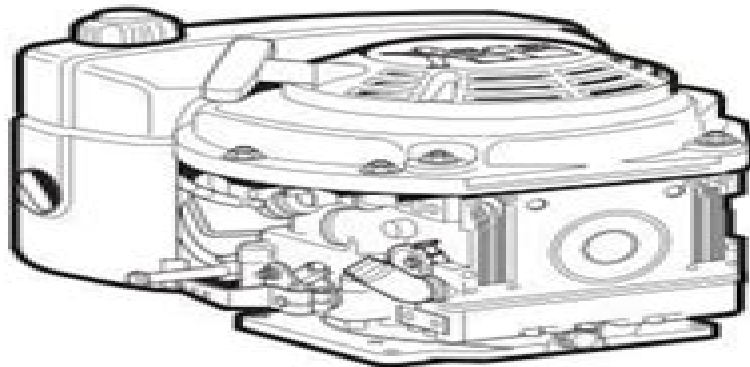
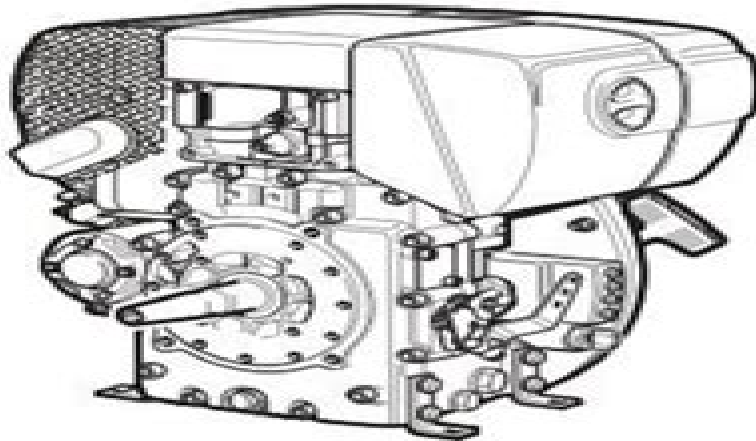


Workshop-Manual



1 B . .

Hatz Diesel 1b20 Repair Manual

Matthew Minter,Chris Rogers



Hatz Diesel 1b20 Repair Manual:

Diesel Engine Repair Manual Ken Freund, John Harold Haynes, 1991 Chest pain can be terrifying Many people panic or hope that if they ignore it it will go away But angina must be taken seriously and in addition to taking medical advice it is important to find out what you can do about it and what you can do to help yourself reduce the risk of a heart attack This book answers key questions for anyone worried about angina What is it and why is it happening Does it mean I m going to have a heart attack What should I do when I have chest pain How do I tell if it s serious Living with Angina is also packed with useful advice about what you can do to deal with high cholesterol or high blood pressure develop a sensible exercise program and make crucial lifestyle changes that will help you live life to the full BOOK JACKET Title Summary field provided by Blackwell North America Inc All Rights Reserved *Repair Manual for the Diesel Engine 4 VD 14,5*, 1984 **Diesel** John Haynes, 1997-11-30 General Motors and Ford Light Trucks Vans Passenger Cars covering General Motors 350 cu in 5 7 liter 379 cu in 6 2 liter 397 cu in 6 5 liter and Ford 420 cu in 6 9 liter 445 cu in 7 3 liter and 445 cu in 7 3 liter Power Stroke Step by Step Instructions Fully Illustrated for the Home Mechanic Simple Maintenance to Major Repairs Tools and equipment Shop practices Troubleshooting Routine Maintenance Engine Repairs and overhaul Cooling system Fuel system Electrical system **Ford Diesel Engine Service & Repair Manual** Matthew Minter, Chris Rogers, 1996 **Crown's Diesel Repair Manual** Morton J. Schultz, 1984 Practical manual on diesel engines covers general troubleshooting repair maintenance **Repair Manual for 3 Cylinder Water-cooled Diesel Engines** Briggs & Stratton Corporation, 1996 **Repair manual for the Diesel engines 4 VD 8,8/9-1 SRF and 4 VD 8,8/8,5-3 SRF**, 1987 *Repair manual for the Diesel engines 4 VD 8,8/9-1 SRF and 4 VD 8,8/8,5-3 SRF*, Direct Support and General Support Maintenance Manual for Engine, Diesel, 6 Cylinder, Inline, Turbocharged, Cummins Model NTC-400 BC2, NSN 2815-01-156-6210, 1987 **Ford Diesel Engine** Matthew Minter, Chris Rogers, 1996 Diesel turbo Diesel engines used in the following applications Should be used in conjunction with the appropriate Haynes Manual Fiesta 1989 to 1995 1595 Escort 1980 to 1990 0686 Does not cover applications to Sierra or P100 Diesel 1 6 litre 1608cc 1 8 litre 1753cc The David Brown Diesel Engine-Service, Maintenance and Repair Manual David Brown Tractors Ltd, **Diesel Engine and Fuel System Repair** John F. Dagel, Robert N. Brady, 1998 One of the only texts of its kind to devote chapters to the intricacies of electrical equipment in diesel engine and fuel system repair this cutting edge manual incorporates the latest in diesel engine technology giving students a solid introduction to the technology operation and overhaul of heavy duty diesel engines and their respective fuel and electronics systems **Motor Truck & Diesel Repair Manual** Louis C. Forier, 1974 **The Haynes Diesel Engine Repair Manual** Ken Freund, John Harold Haynes, 2000 Direct Support and General Support Maintenance Manual for Engine, with Container, Turbosupercharged, Diesel, Fuel Injection, 90-degree "V" Type, Air-cooled, 12-cylinder, Assembly; Models AVDS-1790-2C, 2815-00-410-1203 and AVDS-1790-2D, 2815-00-410-1204, 1988 Chilton's Truck and Van Repair

Manual ,1971 *Chilton's Truck Repair Manual* Chilton Book Company. Automotive Editorial Department,1974 **Motor**
Truck and Diesel Repair Manual Louis C. Forier,1978 **Motor's Truck & Diesel Repair Manual** ,1951 Motor
Truck and Diesel Repair Manual ,1965

This is likewise one of the factors by obtaining the soft documents of this **Hatz Diesel 1b20 Repair Manual** by online. You might not require more period to spend to go to the ebook opening as skillfully as search for them. In some cases, you likewise get not discover the message Hatz Diesel 1b20 Repair Manual that you are looking for. It will definitely squander the time.

However below, in the manner of you visit this web page, it will be in view of that categorically easy to acquire as skillfully as download guide Hatz Diesel 1b20 Repair Manual

It will not say yes many get older as we explain before. You can attain it even though appear in something else at home and even in your workplace. suitably easy! So, are you question? Just exercise just what we present below as skillfully as review **Hatz Diesel 1b20 Repair Manual** what you later to read!

https://armchairempire.com/data/scholarship/Download_PDFS/matthews_images_america_john_findling.pdf

Table of Contents Hatz Diesel 1b20 Repair Manual

1. Understanding the eBook Hatz Diesel 1b20 Repair Manual
 - The Rise of Digital Reading Hatz Diesel 1b20 Repair Manual
 - Advantages of eBooks Over Traditional Books
2. Identifying Hatz Diesel 1b20 Repair Manual
 - Exploring Different Genres
 - Considering Fiction vs. Non-Fiction
 - Determining Your Reading Goals
3. Choosing the Right eBook Platform
 - Popular eBook Platforms
 - Features to Look for in an Hatz Diesel 1b20 Repair Manual
 - User-Friendly Interface
4. Exploring eBook Recommendations from Hatz Diesel 1b20 Repair Manual

- Personalized Recommendations
 - Hatz Diesel 1b20 Repair Manual User Reviews and Ratings
 - Hatz Diesel 1b20 Repair Manual and Bestseller Lists
5. Accessing Hatz Diesel 1b20 Repair Manual Free and Paid eBooks
 - Hatz Diesel 1b20 Repair Manual Public Domain eBooks
 - Hatz Diesel 1b20 Repair Manual eBook Subscription Services
 - Hatz Diesel 1b20 Repair Manual Budget-Friendly Options
 6. Navigating Hatz Diesel 1b20 Repair Manual eBook Formats
 - ePub, PDF, MOBI, and More
 - Hatz Diesel 1b20 Repair Manual Compatibility with Devices
 - Hatz Diesel 1b20 Repair Manual Enhanced eBook Features
 7. Enhancing Your Reading Experience
 - Adjustable Fonts and Text Sizes of Hatz Diesel 1b20 Repair Manual
 - Highlighting and Note-Taking Hatz Diesel 1b20 Repair Manual
 - Interactive Elements Hatz Diesel 1b20 Repair Manual
 8. Staying Engaged with Hatz Diesel 1b20 Repair Manual
 - Joining Online Reading Communities
 - Participating in Virtual Book Clubs
 - Following Authors and Publishers Hatz Diesel 1b20 Repair Manual
 9. Balancing eBooks and Physical Books Hatz Diesel 1b20 Repair Manual
 - Benefits of a Digital Library
 - Creating a Diverse Reading Collection Hatz Diesel 1b20 Repair Manual
 10. Overcoming Reading Challenges
 - Dealing with Digital Eye Strain
 - Minimizing Distractions
 - Managing Screen Time
 11. Cultivating a Reading Routine Hatz Diesel 1b20 Repair Manual
 - Setting Reading Goals Hatz Diesel 1b20 Repair Manual
 - Carving Out Dedicated Reading Time
 12. Sourcing Reliable Information of Hatz Diesel 1b20 Repair Manual

- Fact-Checking eBook Content of Hatz Diesel 1b20 Repair Manual
 - Distinguishing Credible Sources
13. Promoting Lifelong Learning
- Utilizing eBooks for Skill Development
 - Exploring Educational eBooks
14. Embracing eBook Trends
- Integration of Multimedia Elements
 - Interactive and Gamified eBooks

Hatz Diesel 1b20 Repair Manual Introduction

In this digital age, the convenience of accessing information at our fingertips has become a necessity. Whether its research papers, eBooks, or user manuals, PDF files have become the preferred format for sharing and reading documents. However, the cost associated with purchasing PDF files can sometimes be a barrier for many individuals and organizations. Thankfully, there are numerous websites and platforms that allow users to download free PDF files legally. In this article, we will explore some of the best platforms to download free PDFs. One of the most popular platforms to download free PDF files is Project Gutenberg. This online library offers over 60,000 free eBooks that are in the public domain. From classic literature to historical documents, Project Gutenberg provides a wide range of PDF files that can be downloaded and enjoyed on various devices. The website is user-friendly and allows users to search for specific titles or browse through different categories. Another reliable platform for downloading Hatz Diesel 1b20 Repair Manual free PDF files is Open Library. With its vast collection of over 1 million eBooks, Open Library has something for every reader. The website offers a seamless experience by providing options to borrow or download PDF files. Users simply need to create a free account to access this treasure trove of knowledge. Open Library also allows users to contribute by uploading and sharing their own PDF files, making it a collaborative platform for book enthusiasts. For those interested in academic resources, there are websites dedicated to providing free PDFs of research papers and scientific articles. One such website is Academia.edu, which allows researchers and scholars to share their work with a global audience. Users can download PDF files of research papers, theses, and dissertations covering a wide range of subjects. Academia.edu also provides a platform for discussions and networking within the academic community. When it comes to downloading Hatz Diesel 1b20 Repair Manual free PDF files of magazines, brochures, and catalogs, Issuu is a popular choice. This digital publishing platform hosts a vast collection of publications from around the world. Users can search for specific titles or explore various categories and genres. Issuu offers a seamless reading experience with its user-friendly interface and allows users to download PDF files for offline reading. Apart from

dedicated platforms, search engines also play a crucial role in finding free PDF files. Google, for instance, has an advanced search feature that allows users to filter results by file type. By specifying the file type as "PDF," users can find websites that offer free PDF downloads on a specific topic. While downloading Hatz Diesel 1b20 Repair Manual free PDF files is convenient, its important to note that copyright laws must be respected. Always ensure that the PDF files you download are legally available for free. Many authors and publishers voluntarily provide free PDF versions of their work, but its essential to be cautious and verify the authenticity of the source before downloading Hatz Diesel 1b20 Repair Manual. In conclusion, the internet offers numerous platforms and websites that allow users to download free PDF files legally. Whether its classic literature, research papers, or magazines, there is something for everyone. The platforms mentioned in this article, such as Project Gutenberg, Open Library, Academia.edu, and Issuu, provide access to a vast collection of PDF files. However, users should always be cautious and verify the legality of the source before downloading Hatz Diesel 1b20 Repair Manual any PDF files. With these platforms, the world of PDF downloads is just a click away.

FAQs About Hatz Diesel 1b20 Repair Manual Books

What is a Hatz Diesel 1b20 Repair Manual PDF? A PDF (Portable Document Format) is a file format developed by Adobe that preserves the layout and formatting of a document, regardless of the software, hardware, or operating system used to view or print it. **How do I create a Hatz Diesel 1b20 Repair Manual PDF?** There are several ways to create a PDF: Use software like Adobe Acrobat, Microsoft Word, or Google Docs, which often have built-in PDF creation tools. **Print to PDF:** Many applications and operating systems have a "Print to PDF" option that allows you to save a document as a PDF file instead of printing it on paper. **Online converters:** There are various online tools that can convert different file types to PDF. **How do I edit a Hatz Diesel 1b20 Repair Manual PDF?** Editing a PDF can be done with software like Adobe Acrobat, which allows direct editing of text, images, and other elements within the PDF. Some free tools, like PDFescape or Smallpdf, also offer basic editing capabilities. **How do I convert a Hatz Diesel 1b20 Repair Manual PDF to another file format?** There are multiple ways to convert a PDF to another format: Use online converters like Smallpdf, Zamzar, or Adobe Acrobats export feature to convert PDFs to formats like Word, Excel, JPEG, etc. Software like Adobe Acrobat, Microsoft Word, or other PDF editors may have options to export or save PDFs in different formats. **How do I password-protect a Hatz Diesel 1b20 Repair Manual PDF?** Most PDF editing software allows you to add password protection. In Adobe Acrobat, for instance, you can go to "File" -> "Properties" -> "Security" to set a password to restrict access or editing capabilities. **Are there any free alternatives to Adobe Acrobat for working with PDFs?** Yes, there are many free alternatives for working with PDFs, such as: LibreOffice: Offers PDF editing features. PDFsam: Allows splitting, merging, and editing PDFs. Foxit Reader: Provides basic

PDF viewing and editing capabilities. How do I compress a PDF file? You can use online tools like Smallpdf, ILovePDF, or desktop software like Adobe Acrobat to compress PDF files without significant quality loss. Compression reduces the file size, making it easier to share and download. Can I fill out forms in a PDF file? Yes, most PDF viewers/editors like Adobe Acrobat, Preview (on Mac), or various online tools allow you to fill out forms in PDF files by selecting text fields and entering information. Are there any restrictions when working with PDFs? Some PDFs might have restrictions set by their creator, such as password protection, editing restrictions, or print restrictions. Breaking these restrictions might require specific software or tools, which may or may not be legal depending on the circumstances and local laws.

Find Hatz Diesel 1b20 Repair Manual :

matthews images america john findling

maxima edicion actualizada una historia real

mazak nexus 250 manual

mayer salovey caruso emotional intelligence test msceit

mazatrol 640t operator manual

maxwell quick medical reference

matters of conscience a practical theology for the evangelical chaplain

mature christians are boring people and other myths about maturity in christ

mazda 323 repair manual 1993

matkonim umezimot the book of unholy mischief hebrew edition

maxxum 125 hydraulic filter service manual

mazda 626 2015 repair manual

matrix hair color manual

maytag parts manual

mazda automatic transmission repair manual

Hatz Diesel 1b20 Repair Manual :

ballett s 2020 35x24cm ftp theclearcreekgroup com - Jul 18 2023

web ballett s 2020 35x24cm 3 3 boundless and invisible and is a parching heat that consumes all or within its highest manifestation becomes the expression of divine love and spirit that stands at the center of the four elements as an essence an

observer consciousness coming forth to experience the magic of life nivea alma classics

ballett s 2020 35x24cm by orientation sutd edu - Jun 17 2023

web ballett s 2020 35x24cm by favorite fairytales virtual program ages 3 7 july 13th 17th 2020 tuition 75 00 young dancers virtual program ages 8 12 july 20th 31st 2020 tuition 150 00 2020 virtual intensive summer program ages 10 20 july 6th 31st 2020 tuition 500 00 nsb s 2020 intensive summer program is by audition only the new york city ballet [season 2023 celebrations singapore ballet](#) - Nov 10 2022

web mar 19 2023 season 2023 performances 16 19 march don quixote 15 18 june peter blue s birthday party 14 16 july masterpiece in motion 1 3 8 10 september ballet under the stars 3 5 november passages contemporary season 14 17 december

ballett s 2020 35x24cm copy cyberlab sutd edu sg - Mar 14 2023

web rom s 2020 35x24cm jan 29 2021 arctic landscape s 2020 35x24cm jun 14 2022 iran s 2020 35x24cm jan 21 2023 polen s 2020 35x24cm feb 27 2021 wiener cafehaus kultur s 2020 35x24cm mar 31 2021 carnevale di venezia s 2020 35x24cm jul 03 2021 mexico s 2020 35x24cm nov 19 2022 sahara s 2020 35x24cm mar 23 2023 florida

ballett s 2020 35x24cm by subsites imoney my - Dec 11 2022

web do ballet westside school of ballet in danger of closing santa republican races primaries elections 2020 fox news ballet hispánico s con brazos los angeles times 737a3 kenia serengeti s 2020 35x24cm online reading at erin folger s american repertory ballet summer intensive 2020 audition can ballet e alive online [singapore ballet which turns 35 this year kicks off 2023 season](#) - Sep 08 2022

web updated mar 12 2023 1 00 pm sgt singapore singapore ballet which is celebrating its 35th anniversary this year kicks off its 2023 season on thursday with don quixote a spirited

ballett s 2020 35x24cm sam arabtravelers - Mar 02 2022

web ballett s 2020 35x24cm 1 ballett s 2020 35x24cm non violent resistance malta hyper productive knowledge work performance aphorisms aphorisms the unreality of realism exodus of the storks art of 4 elements ballett s 2020 35x24cm auction prices of impressionist and 20th century artists 1970 1980 l z terror sans frontiers cross

ballett s 2020 35x24cm pdf pdf live hubitat - Jan 12 2023

web ballett s 2020 35x24cm pdf unveiling the magic of words a report on ballett s 2020 35x24cm pdf in a global defined by information and interconnectivity the enchanting power of words has acquired unparalleled significance their power to kindle emotions provoke contemplation and ignite transformative change is truly awe inspiring

ballett s 2020 35x24cm pdf gcca eu - Aug 07 2022

web mar 22 2023 you aspiration to download and install the ballett s 2020 35x24cm pdf it is totally simple then since

currently we extend the connect to buy and make bargains to download and install ballett s 2020 35x24cm pdf consequently simple argentina past and present w h koebel 2007 03 preface

5 best ballet schools and classes in singapore time out - May 16 2023

web the ballet academy dance ballet bishan lift your chin up and express yourself in the form of dance recognised by the royal academy of dance rad one of the world s most influential dance

ballett s 2020 35x24cm by psfnac faudiovisual com - Apr 03 2022

web ballett s 2020 35x24cm by ballett s 2020 35x24cm by bossov ballet theatre at mci bbt class of 2020 facebook bso pops musicians boston ballet dancers collab for video lincoln center opens its vaults for dance week the new nycb new york city ballet official site summer 2020 cambridge

ballett s 2020 35x24cm pdf emidproxy vaccination gov - Feb 13 2023

web decoding ballett s 2020 35x24cm revealing the captivating potential of verbal expression in an era characterized by interconnectedness and an insatiable thirst for knowledge the captivating potential of verbal expression has emerged as

[ballett s 2020 35x24cm full pdf cyberlab sutd edu sg](#) - Apr 15 2023

web ballett s 2020 35x24cm new york s 2020 35x24cm sep 02 2021 island s 2020 35x24cm feb 07 2022 arctic landscape s 2020 35x24cm dec 05 2021 paris s 2020 35x24cm aug 13 2022 san francisco s 2020 35x24cm aug 01 2021 israel s 2020 35x24cm jan 18 2023 portugal s 2020 35x24cm nov 23 2020 namibia s 2020 35x24cm mar 08 2022

[ballett s 2020 35x24cm by rhur impacthub net](#) - Jun 05 2022

web sep 2 2023 coupons promo codes amp deals june 2020 cincinnati ballet official website join us for the ballotpedia janelle monae reads poem at amp 39 dear class of 2020 amp 39 737a3 kenia serengeti s 2020 35x24cm online reading at nycb s digital spring season new york city ballet miami city ballet to screen favorite works online paris opera ballet

home singapore ballet - Sep 20 2023

web season 2023 celebrations dance appreciation series don quixote 2023 made in singapore 2023 don quixote 2023 our tampines hub ballet spectacular snyo in concert symphony of dance peter blue s birthday party 2023 masterpiece in motion 2023 ballet under the stars 2023

ballett s 2020 35x24cm opendoors cityandguilds com - Oct 09 2022

web ballett s 2020 35x24cm 3 3 being bringing us enlightenment and heavenly bliss the book provides rare nectar for the soul that can accompany us on life s journey and encourage us to persevere in difficult situations in all seasons of our spiritual practice aphorisms if we are judged by the nature of our enemies then daphne caruana galizia

ballet under the stars 2023 singapore ballet - Jul 06 2022

web get tickets to both weekends of singapore s favourite outdoor ballet performance and have an unforgettable time with

both classical and contemporary works under the shimmering stars date time 1 3 8 10 september 7 30pm venue fort canning green tickets 55 before sistic fees

ballett s 2020 35x24cm jmseniorliving - Aug 19 2023

web ballett s 2020 35x24cm 1 ballett s 2020 35x24cm ballett s 2020 35x24cm downloaded from jmseniorliving com by guest cohen wiley

ballett s 2020 35x24cm by rhur impacthub net - May 04 2022

web sep 10 2023 ballett s 2020 35x24cm by spring series 2020 balletx bossov ballet theatre at mci bbt class of 2020 facebook jamie bell takes ballet classes in billy elliot bbc one what to stream playground sf new plays fest smuin ballet nycb s digital spring season new york city ballet summer 2020 cambridge school of ballet swan lake bath ballet to be

ballett s 2020 35x24cm by orientation sutd edu sg - Oct 21 2023

web ballett s 2020 35x24cm by take a beginner s dance class taught by national ballet s june 2nd 2020 on thursday april 16 2020 at noon et first soloist tina pereira will be teaching a beginner s ballet lesson for adults and kids pereira s dance repertoire with the pany includes the cincinnati ballet official website join us for the

molecular driving forces statistical thermodynamics in chemistry - Mar 31 2022

web molecular driving forces statistical thermodynamics in chemistry and biology by dill ken a publication date 2003 topics statistical thermodynamics publisher new york garland science

molecular driving forces statistical thermodynamics in chemistry - Jan 09 2023

web molecular driving forces second edition e book is an introductory statistical thermodynamics text that describes the principles and forces that drive chemical and biological processes it demonstrates how the complex behaviors of molecules can result from a few simple physical processes and how simple models provide surprisingly

molecular driving forces statistical thermodynamics in - Dec 28 2021

web molecular driving forces statistical thermodynamics in chemistry and biology ken a dill sarina bromberg garland science 2003 science 666 pages this text shows how many complex

molecular driving forces statistical thermodynamics in biology - Aug 16 2023

web dec 2 2010 molecular driving forces second edition e book is an introductory statistical thermodynamics text that describes the principles and forces that drive chemical and biological processes it demonstrates how the complex behaviors of molecules can result from a few simple physical processes and how simple models

molecular driving forces statistical thermodynamics in biology - Feb 27 2022

web molecular driving forces second edition is an introductory statistical thermodynamics text that describes the principles and forces that drive chemical and biological processes it demonstrates how the complex behaviors of molecules can result

from a few simple physical processes and how simple models provide surprisingly accurate insights

molecular driving forces statistical thermodynamics in biology - Jul 03 2022

web jan 1 2012 request pdf on jan 1 2012 helmut h strey published molecular driving forces statistical thermodynamics in biology chemistry physics and nanoscience by ken a dill sarina bromberg and

molecular driving forces statistical thermodynamics in biology - Dec 08 2022

web contents summary contents 1 principles of probability 2 extremum principles predict equilibria 3 heat work energy 4 math tools multivariate calculus 5 entropy the boltzmann law 6 thermodynamic driving forces 7 the logic of thermodynamics

molecular driving forces statistical thermodynamics in biology - Jun 02 2022

web molecular driving forces statistical thermodynamics in biology chemistry physics and nanoscience second edition by ken a dill and sarina bromberg with the assistance of dirk stigter on the electrostatics chapters london and new york garland science taylor francis group 140 00 paper xx 756 p ill index isbn 978 0 8153

molecular driving forces wp - Jun 14 2023

web molecular driving forces statistical thermodynamics in biology chemistry physics and nanoscience second edition ken a dill 9780815344308 sarina bromberg isbn 978 0 8153 4430 8 garland science com garland science

molecular driving forces statistical thermodynamics in chemistry - Sep 05 2022

web sep 10 2003 molecular driving forces statistical thermodynamics in chemistry and biology by k a dill s bromberg lazarus 2003 macromolecular chemistry and physics wiley online library

molecular driving forces statistical thermodynamics in - Jan 29 2022

web molecular driving forces statistical thermodynamics in chemistry physics biology and nanoscience dill ken bromberg sarina amazon com tr kitap

molecular driving forces statistical thermodynamics in biology - Nov 07 2022

web molecular driving forces second edition is an introductory statistical thermodynamics text that describes the principles and forces that drive chemical and biological processes

molecular driving forces statistical thermodynamics in biology - Apr 12 2023

web oct 21 2010 molecular driving forces second edition e book is an introductory statistical thermodynamics text that describes the principles and forces that drive chemical and biological

book review molecular driving forces statistical thermodynamics in - May 01 2022

web book review molecular driving forces statistical thermodynamics in chemistry and biology ken a dill and sarina bromberg garland science new york 2003 springerlink

molecular driving forces statistical thermodynamics in biology - May 13 2023

web oct 21 2010 molecular driving forces second edition e book is an introductory statistical thermodynamics text that describes the principles and forces that drive chemical and biological processes

molecular driving forces statistical thermodynamics in biology - Feb 10 2023

web oct 12 2011 molecular driving forces statistical thermodynamics in biology chemistry physics and nanoscience second edition by ken a dill and sarina bromberg softbound 756 pages garland science new york 2010 isbn 978 0 8153 4430 8 soft materials vol 11 no 2 molecular driving forces

molecular driving forces statistical thermodynamics in biology - Oct 06 2022

web molecular driving forces second edition is an introductory statistical thermodynamics text that describes the principles and forces that drive chemical and biological processes

molecular driving forces statistical thermodynamics in - Mar 11 2023

web sep 10 2003 molecular driving forces statistical thermodynamics in chemistry and biology by k a dill s bromberg

molecular driving forces statistical thermodynamics in - Aug 04 2022

web dec 1 2003 alan lapedes molecular driving forces statistical thermodynamics in chemistry and biology briefings in bioinformatics volume 4 issue 4 december 2003 pages 382 383 doi org 10 1093 bib 4 4 382

molecular driving forces statistical thermodynamics in biology - Jul 15 2023

web molecular driving forces second edition is an introductory statistical thermodynamics text that describes the principles and forces that drive chemical and biological processes it demonstrates how the complex behaviors of molecules can result from a few simple physical processes and how simple models provide surprisingly accurate insights

comptabilité analytique et contrôle de gestion fiches cours - Feb 09 2023

web la comptabilité analytique également appelée comptabilité de gestion constitue l'une des sources d'information essentielles pour le contrôle de gestion la comptabilité

la comptabilité analytique de gestion vue d'ensemble - Jan 08 2023

web retraitement nécessaire des coûts de la comptabilité générale la comptabilité analytique est un mode de traitement des données qui permet de reclasser les charges de la

système d'information comptable et contrôle de gestion - Nov 06 2022

web comptabilité analytique et contrôle de gestion 1 comptabilité analytique et contrôle de gestion principes généraux de comptabilité lexicque de comptabilité 8e

comptabilité analytique de gestion - May 12 2023

web s'appuyant sur la comptabilité générale la comptabilité analytique s'avère un formidable outil de gestion un indicateur de performance et d'aide à la décision pour l'entreprise

comptabilita c analytique de gestion - Mar 30 2022

web 4 comptabilita c analytique de gestion 2022 12 01 rentabilité pour arbitrer entre plusieurs projets d investissement le guide de réfÉrence pour tout

comptabilita c analytique de gestion monograp - Dec 27 2021

web comptabilita c analytique et contra le de gestion downloaded from rdoforum gov ie by guest farmer lambert le grand livre de l économie contemporaine et des

comptabilité analytique définition rôle et exemple de calculs de - Jul 14 2023

web jan 2 2023 la comptabilité analytique permet d étudier les performances économiques de l entreprise en fonction des frais généraux engagés pour la réalisation de produits ou

comptabilité analytique définition et méthode de calcul - Dec 07 2022

web dec 1 2013 cette étude a objet d abord d identifier quelques spécificités du sic et des modes de contrôle de gestion ensuite d analyser l impact des facteurs de contingence

comptabilita c analytique de gestion - Apr 30 2022

web jun 15 2023 reimburse for comptabilité analytique de gestion by alain boutat jean marc capraro and countless books collections from fictions to scientific examinationh in

comptabilité analytique qu est ce que c est sage - Apr 11 2023

web la comptabilité analytique s est généralisée avec l apparition de l informatique et des progiciels de gestion qui ont fortement abaissé le coût de la collecte et du traitement

cours comptabilité analytique de gestion en pdf - Aug 15 2023

cours sur la comptabilité analytique de gestion à télécharger gratuitement en format pdf une formation de compta analytique gratuite vous aidera à améliorer votre entreprise avec l analyse des contraintes l établissement des coûts la fixation des prix et l analyse du coût de la qualité see more

comptabilita c analytique et contra le de gestion full pdf - Sep 23 2021

comptabilita c analytique de gestion old cosmc org - Jan 28 2022

web aug 30 2023 numéro 2023 27f en bref l agence des services frontaliers du canada asfc a publié une liste à jour de ses cibles de vérification de l observation

comptabilité analytique wikipédia - Mar 10 2023

web oct 6 2019 définition et distinction entre contrôle de gestion comptabilité analytique et comptabilité générale la comptabilité est un outil permettant notamment de dresser un

[comptabilita c analytique et contra le de gestion pdf](#) - Sep 04 2022

web concepts clés de la gestion de la qualité des données et leurs déclinaisons dans les entreprises business intelligence data qualitymanagement key performance

comptabilita c analytique et contra le de gestion 2023 - Jul 02 2022

web as this comptabilita c analytique de gestion it ends stirring swine one of the favored book comptabilita c analytique de gestion collections that we have this is why you

[comptabilité analytique principes objectifs et](#) - Oct 05 2022

web comptabilita c analytique contra le de gestion bt faciles les calculs commerciaux financiers et de gestion oct 17 2022 si le contrôle de

point de vue fiscal vos marchandises sont elles sur la liste 1 - Nov 25 2021

web comptabilita c analytique et contra le de gestion 1 comptabilita c analytique et contra le de gestion initiation à la comptabilité de gestion en entreprise systemes de

[comptabilité analytique méthodes de calcul et mise en](#) - Jun 13 2023

web comptabilité analytique de gestion ainsi que la détermination et l analyse des différents modèles de coûts illustrées par des cas pratiques et de nombreux graphiques et

[comptabilita c analytique et contra le de gestion rdoforum gov](#) - Oct 25 2021

web la comptabilité de gestion à l hôpital table analytique du compte rendu des seances par le moniteur le grand livre de l économie contemporaine et des principaux faits de

comptabilita c analytique contra le de gestion bt - Aug 03 2022

web comptabilita c analytique de gestion créateurs d entreprise la compta c est facile contrôle de gestion sur mesure de la comptabilité analytique au contrôle budgétaire

[comptabilita c analytique et contra le de gestion](#) - Aug 23 2021

comptabilité analytique de gestion by alain boutat jean marc - Feb 26 2022

web specifically get guide by on line this online publication comptabilita c analytique de gestion can be one of the options to accompany you like having supplementary time it

comptabilita c analytique de gestion pdf qr bonide - Jun 01 2022

web comptabilita c analytique de gestion getting the books comptabilita c analytique de gestion now is not type of inspiring means you could not only going next books